

Efficient line

ERGO 280 DY

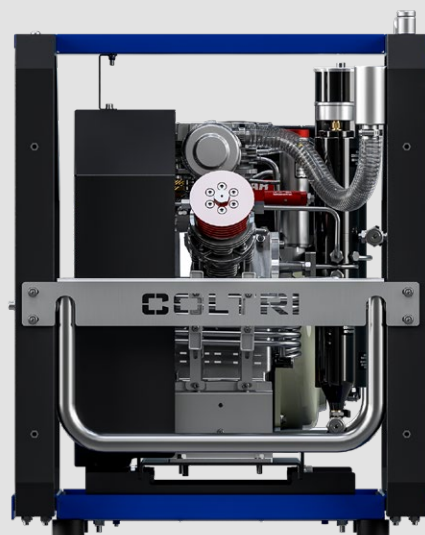
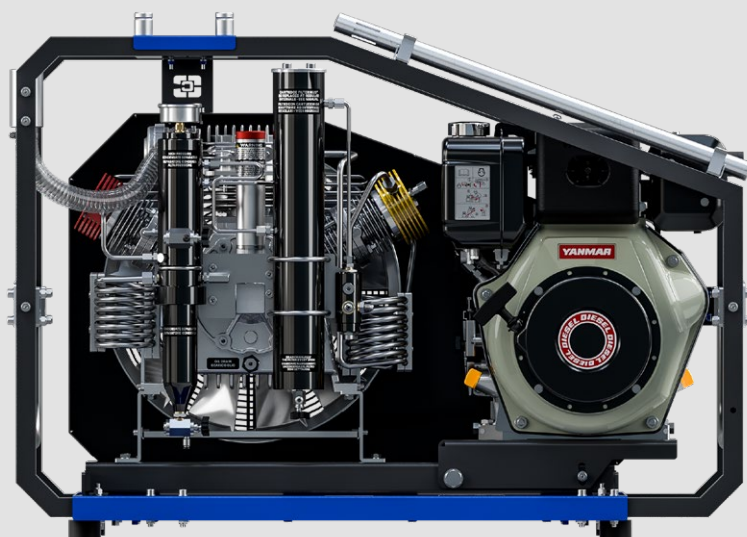
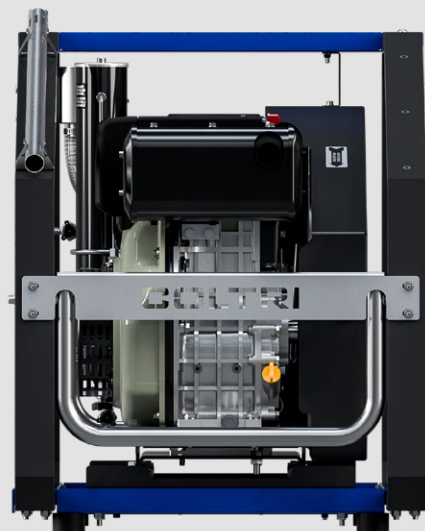
Diesel



CONTACT US

CERTIFICATION:





Dati tecnici

Type of gas	Breathing air EN 12021 - Nitrox 40% max O2 - Helium - Nitrogen
Intake pressure	Atmospheric max 300 mbar
Nominal pressure	250 bar / 330 bar / 360 bar
Filling pressure	232 bar / 300 bar / 330 bar
Max working pressure	420 bar
Permissible ambient temperature range	-10° C ÷ +40° C
Permissible altitude	0 ÷ 1.500 m AMSL
Max permissible tilt	6°
Design	Fully protective cage
Oil	Synthetic Coltri Oil ST 755
Oil change interval	Every year / 1.000 h
Frame	Steel 1,5 mm thickness - colour RAL 5002 + RAL 9005 Powder coating painting - scratch proof

Compressore

	280 DY	280 DY FA
Charging rate <small>Measured during 10 liters cylinder filling from 0-200 bar tolerance +/- 5% at + 20 ° C ambient temperature.</small>	280 l/min	
Purification System	Maxifilter	
Cooling air flow, min.	1.440 m ³ /h	
Weight <small>Standard model. Weight and dimensions may vary depending on accessories.</small>	164 kg	
Dimensions (W x D x H)	112 × 63 × 77 cm	118 × 63 × 77 cm

Motorizzazione

	280 DY	280 DY FA
Power	6,8 kW, 9.3 Hp	
Type	Diesel Yanmar	Diesel Yanmar FA
Speed (RPM)	3.600	

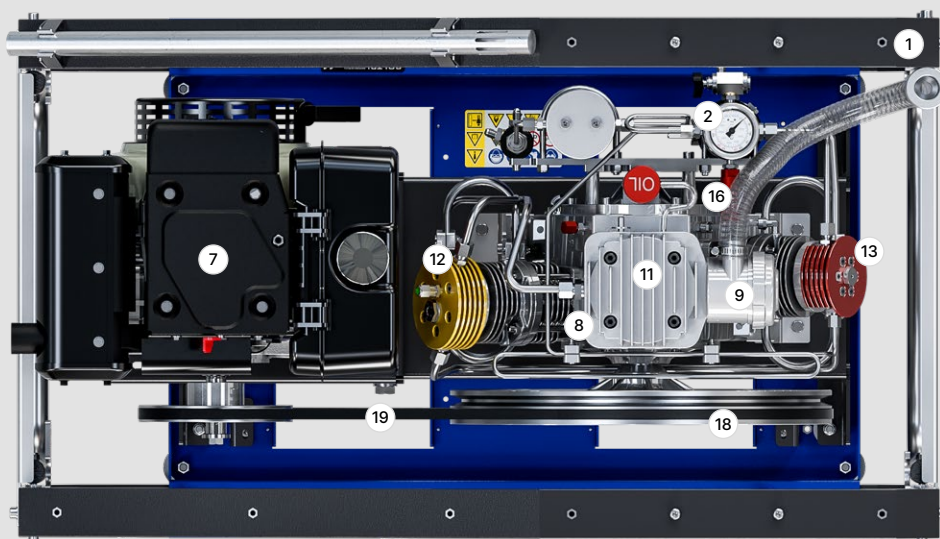
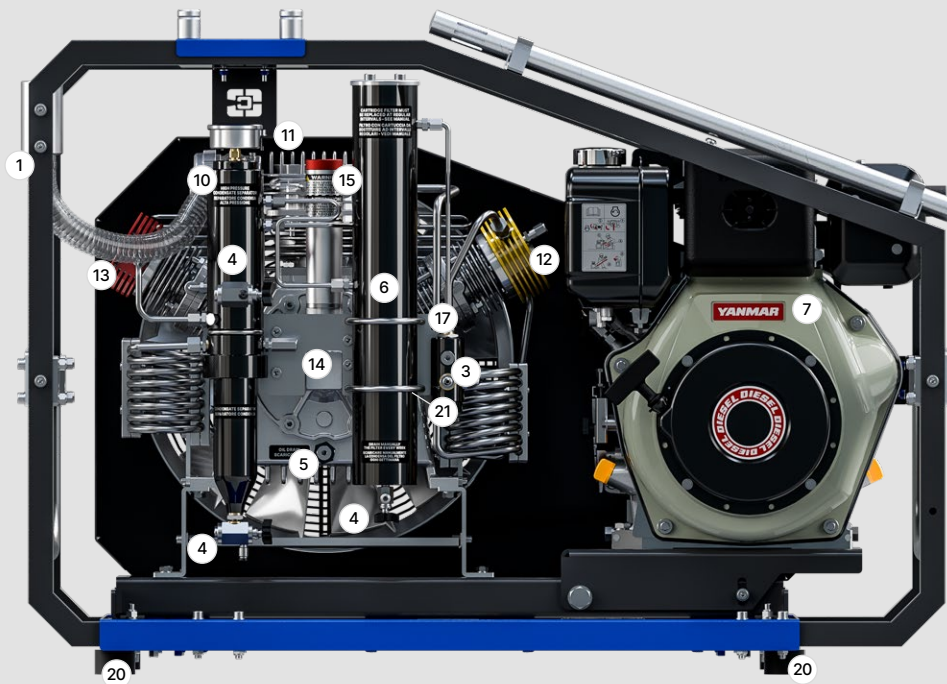
ERGO 280 DY

Dimensions

Width 112 cm (44.1")
 Depth 63 cm (24.8")
 Height 77 cm (30.3")

Dry weight

164 kg / 361 lb



Machine parts

- | | | |
|-------------------------------|-------------------------|-------------------------------|
| 1 Frame | 8 Pumping unit | 15 Oil filler plug |
| 2 Pressure gauge | 9 Intake air filter | 16 Safety valve |
| 3 Refill hoses connection | 10 Condensate separator | 17 Pressure maintenance valve |
| 4 Condensate discharge valves | 11 1st stage | 18 Cooling fan |
| 5 Oil discharge valves | 12 2nd stage | 19 Belt |
| 6 Purifier filter | 13 3rd stage | 20 Anti-vibration device |
| 7 Internal combustion engine | 14 Monoblock crankcase | 21 Oil level |

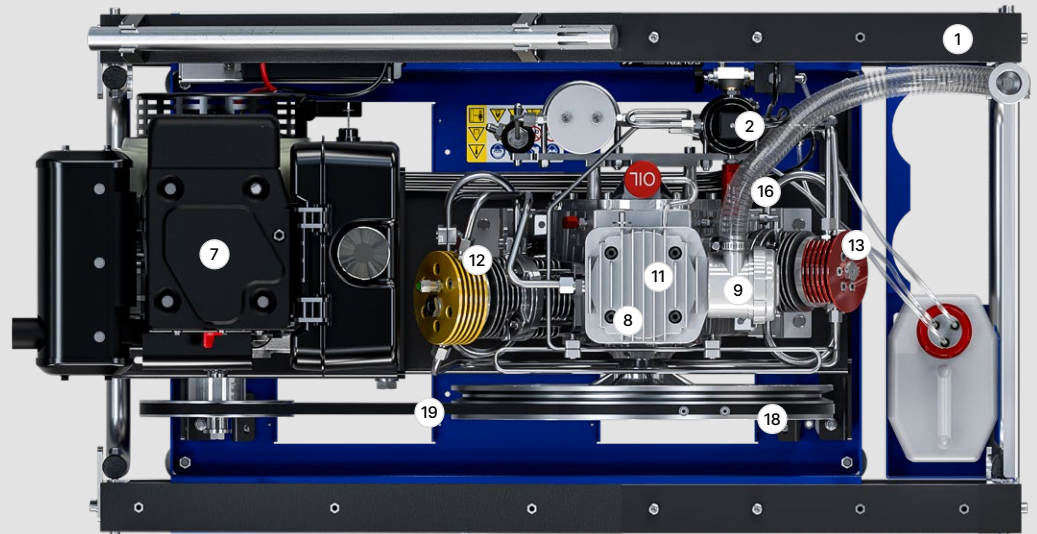
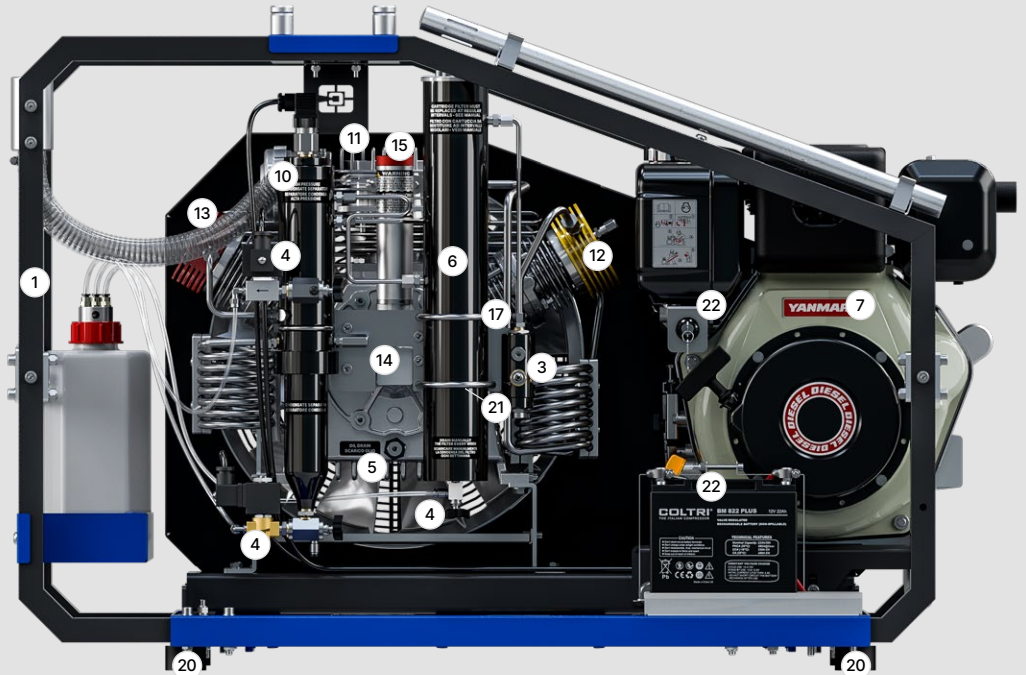
ERGO 280 DY FA

Dimensions

Width 118 cm (46.5")
 Depth 63 cm (24.8")
 Height 77 cm (30.3")

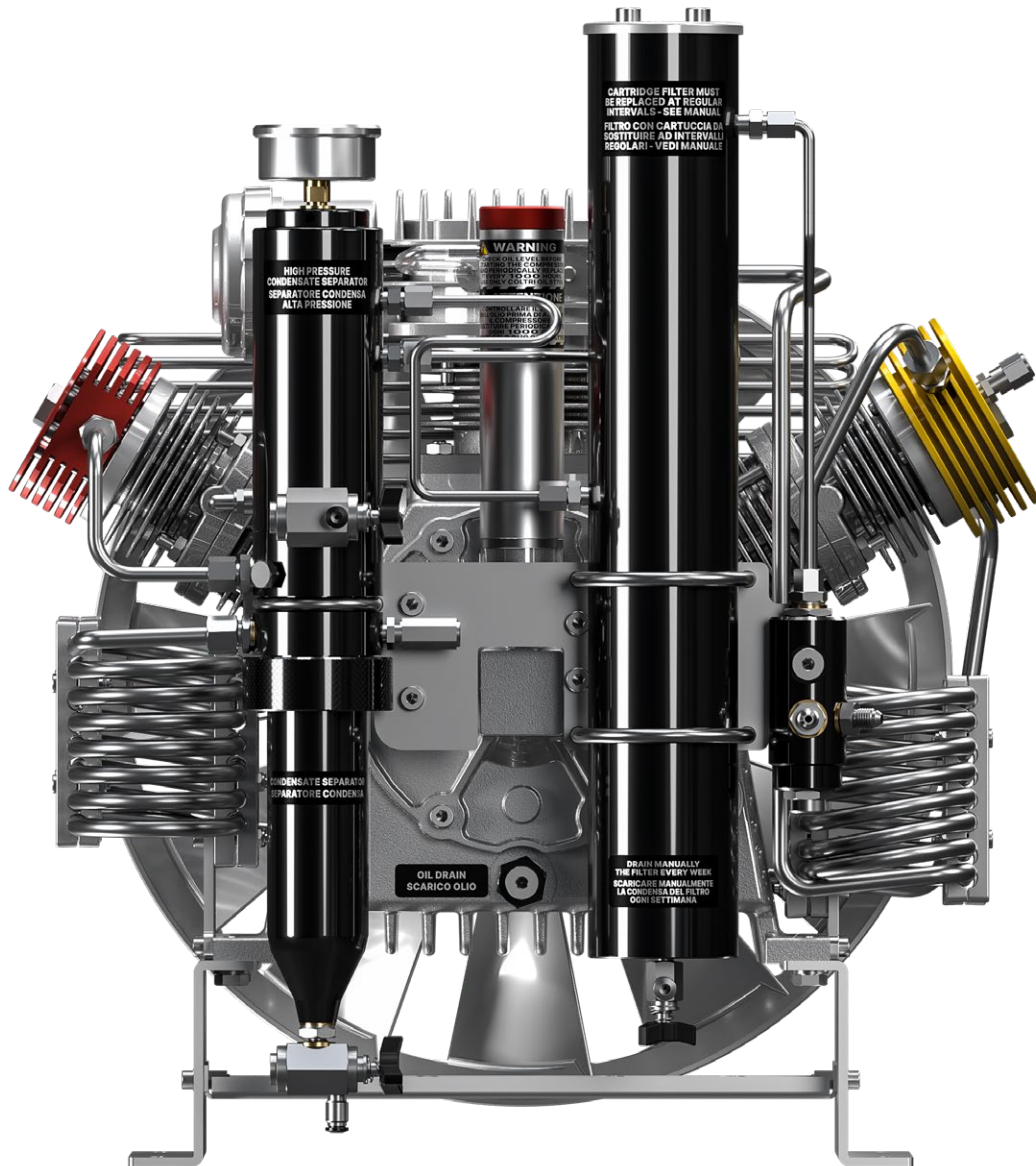
Dry weight

164 kg / 361 lb



Machine parts

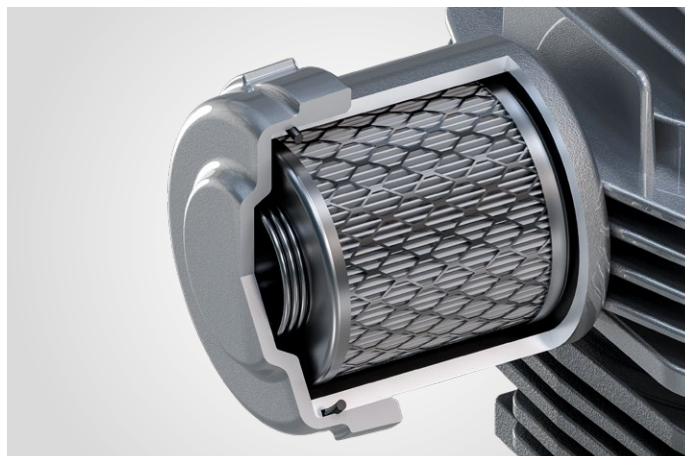
- | | | |
|--|-------------------------|----------------------------------|
| 1 Frame | 8 Pumping unit | 16 Safety valve |
| 2 Automatic shutoff with pressure switch | 9 Intake air filter | 17 Pressure maintenance valve |
| 3 Refill hoses connection | 10 Condensate separator | 18 Cooling fan |
| 4 Automatic condensate drain | 11 1st stage | 19 Belt |
| 5 Oil discharge valves | 12 2nd stage | 20 Anti-vibration device |
| 6 Purifier filter | 13 3rd stage | 21 Oil level |
| 7 Internal combustion engine | 14 Monoblock crankcase | 22 Electric starter with battery |
| | 15 Oil filler plug | |



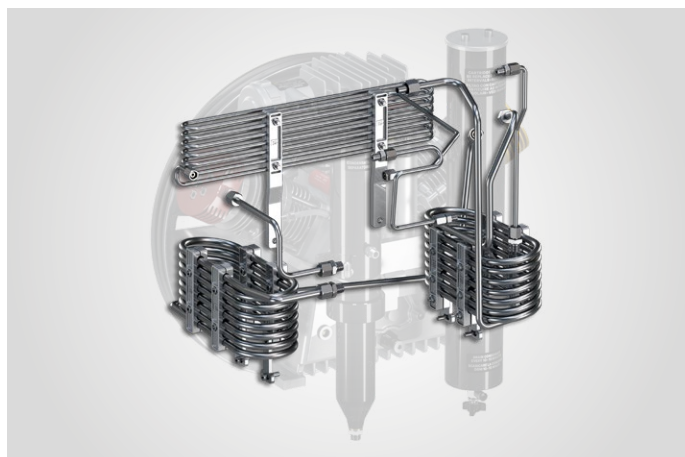
1.
 Splash lubrication
 with conrod pin
 immersed in oil



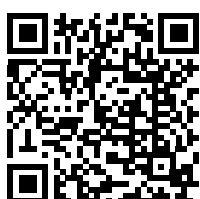
2.
Suction filter:
10 μ micron



3.
Pipes, fittings and nuts
in stainless steel AISI 316

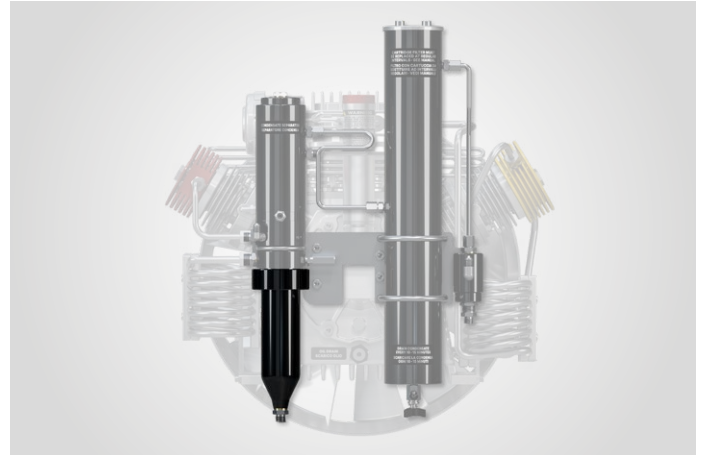


4.
Synthetic oil with
special formulation
for HP compressors

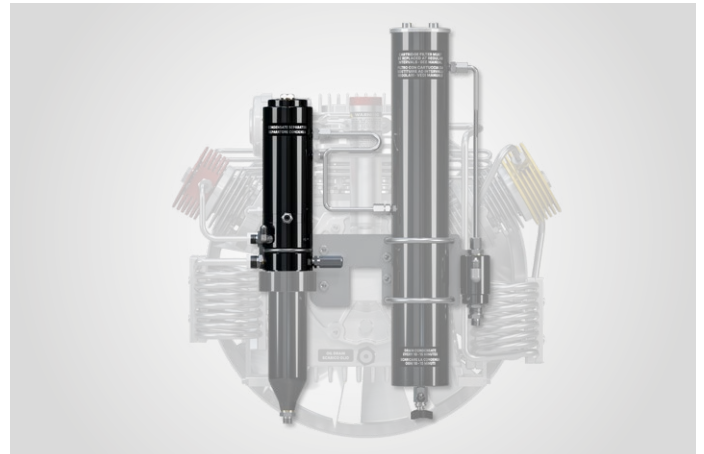


Discover more on Coltri Oil ST 755

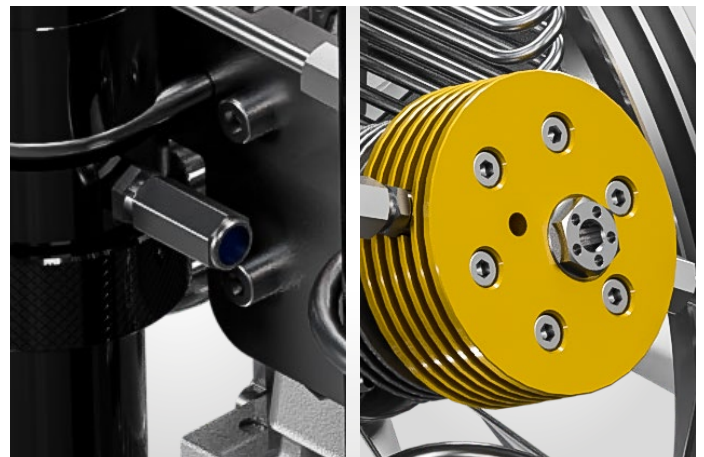
5. Intermediate condensate separator after the second stage



6. High pressure final condensate separator



7. Safety valves after each stage of compression



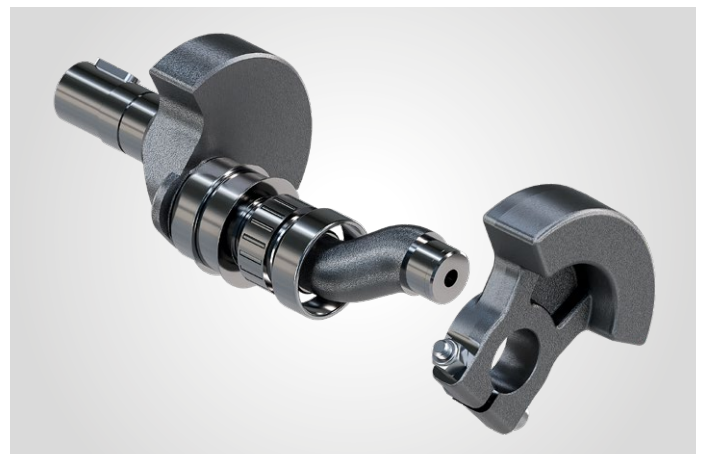
8.
Die-cast aluminum
cylinders with barrel
coating in nicasil



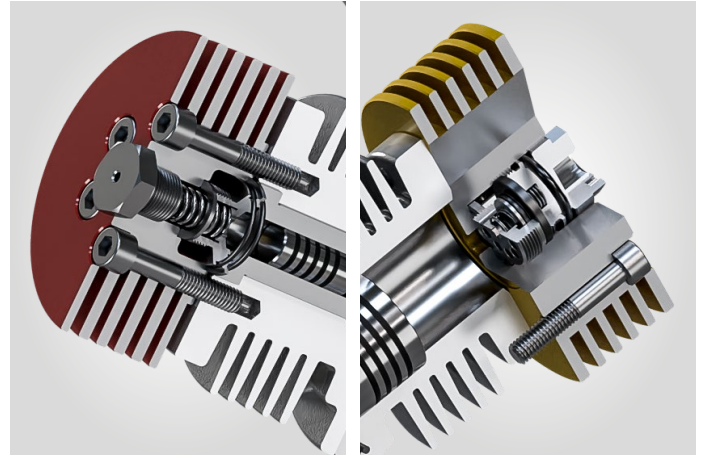
9.
Forged aluminum
connecting rods



10.
Crankshaft
forged steel



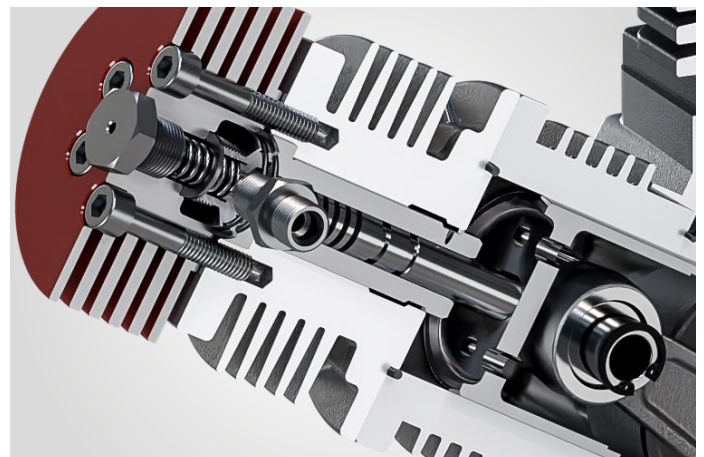
11. Stainless steel second and third stage valves



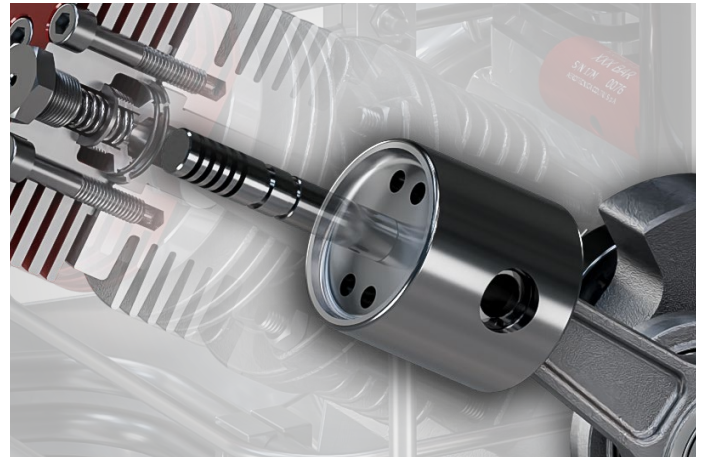
12. Roller Bearings for intensive loads



13. Third stage in tempered steel with 5 piston rings made of special cast iron

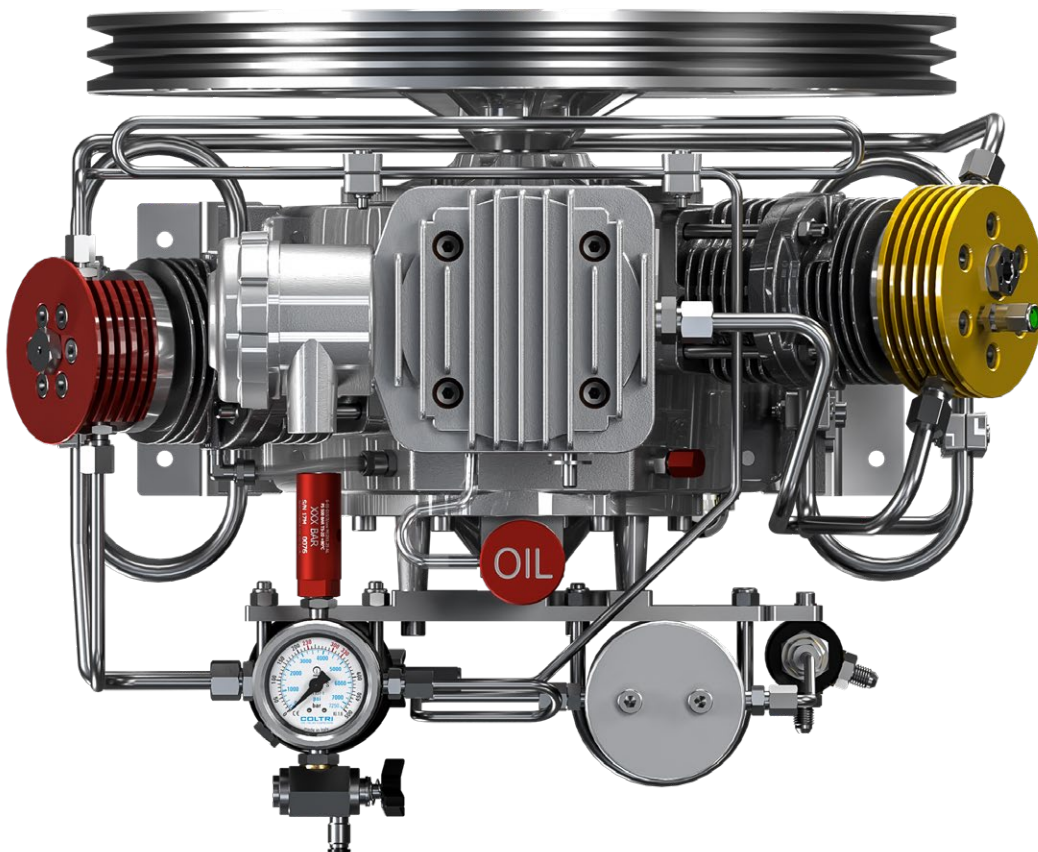


14.
 Second and third stage
 with pushing pistons
 to eliminate lateral forces
 on the pistons



15.
 CE certification

COLTRI COMPRESSORS		AEROTECNICA COLTRI S.P.A. Via dei Colli Storici, 177, 25015 Desenzano del Garda (BS), Italia		CE
MODEL	ERGO DIESEL			
S/N	YEAR	WEIGHT	KG	LB
○	MOTOR	○		
KW	VOLT	HZ	RPM	PUMPING GROUP
MAX WORKING PRESSURE BAR			PSI	
SOUND PRESSURE LEVEL LPA dB				MADE IN ITALY



Compressor block GP 315 (Ex MCH 16)

280 DY - 280 DY FA

Charging rate

Measured during 10 liters cylinder filling from 0-200 bar tolerance +/- 5% at + 20 ° C ambient temperature.

280 l/min

Speed RPM

1.240

Number of stages

3

Number of cylinders

3

Cylinder bore 1st stage

95 mm

Cylinder bore 2nd stage

38 mm

Cylinder bore 3rd stage

14 mm

Stroke

40 mm

Direction of rotation (from flywheel side)

Left - counter clockwise

Drive type

V-belt A type

Intermediate pressure 1st stage

~ 6 bar

Intermediate pressure 2nd stage

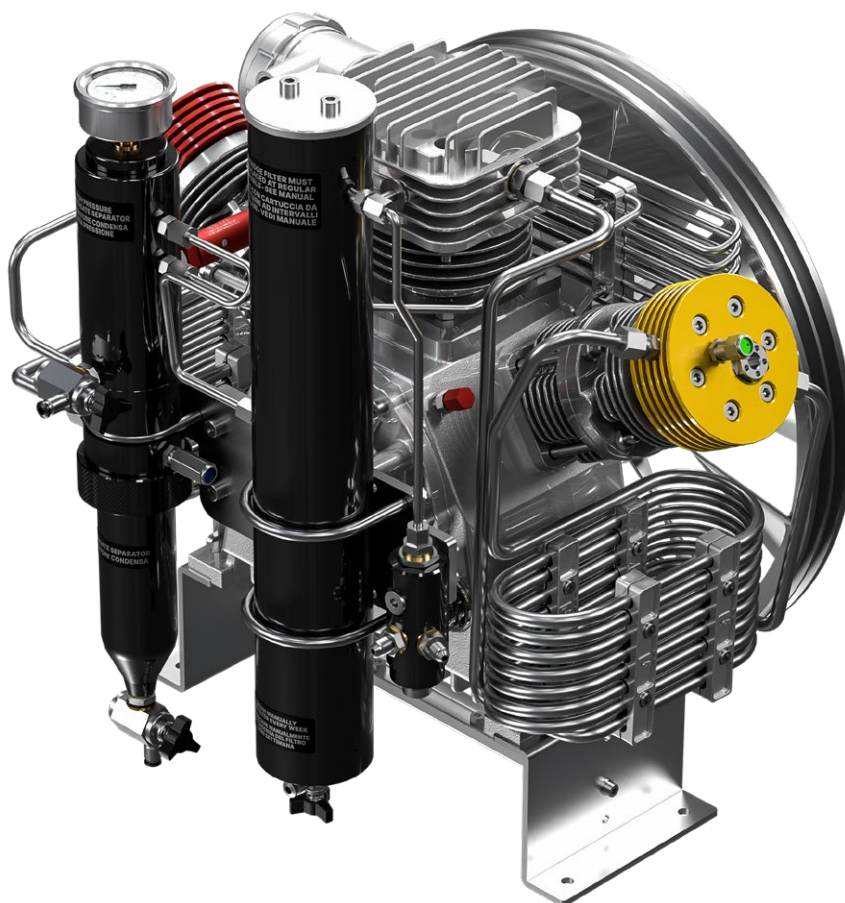
~ 45 bar

Amount of oil

1,8 liters

Intake pressure

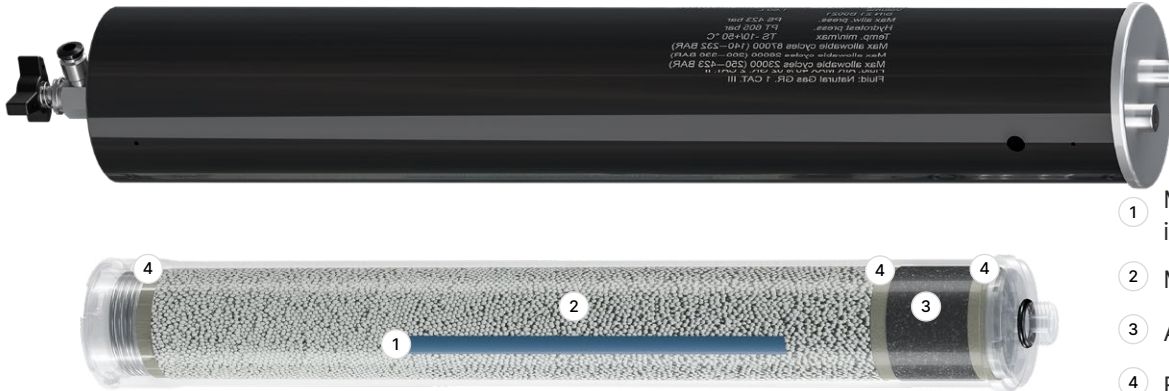
1,3 bar_a – 300 millibar



Standard equipment

Purification system MAXIFILTER

MAXIFILTER polypropylene cartridge repackable or disposable



- ① Moisture saturation indicator stripe
- ② Molecular sieve
- ③ Activated carbon
- ④ Felt disc

Purification system	Maxifilter
Operating pressure (Standard)	250 bar / 330 bar / 360 bar
Operating pressure max. (PS)	420 bar
Processable air capacity (air inlet temperature in the filter 20° C at 300 bar) ¹	890 m ³

¹ When using a filter cartridge without HOPCALITE CO CATALYST.
When using a cartridge with CO-removal, the processable air capacity is reduced by ca. 20%.

Filling connections

2 Filling connection to choose from: DRV DIN 232 bar and DRV DIN 300 bar.



Filling connection DRV DIN 232 bar
COD. DRV232



Filling connection DRV DIN 300 bar
COD. DRV300



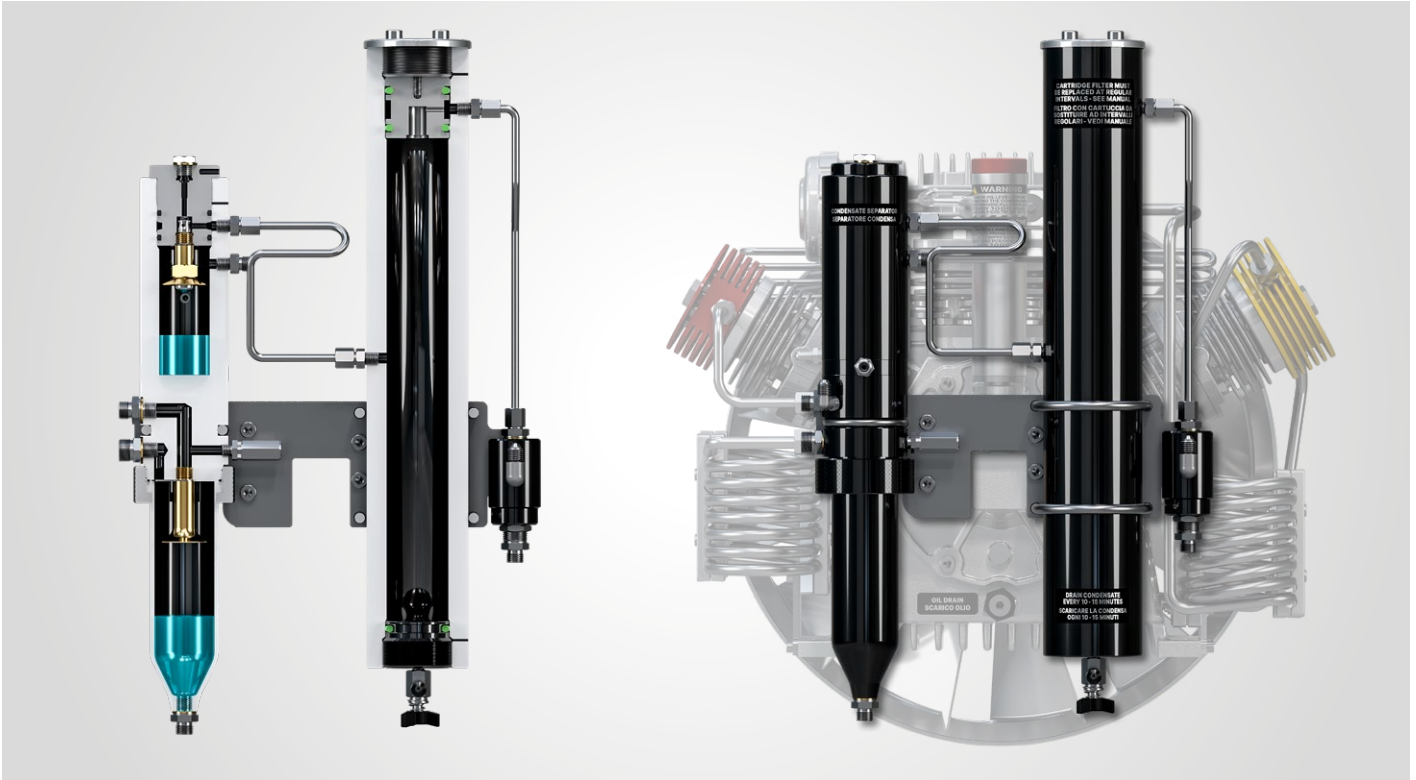
Filling connection DRV INT/YOKE 232 bar
COD. DRVINT

Filling device	DRV DIN 232	DRV DIN 300
Nominal pressure (PN)	250 bar	330 bar
Valve design	Filling valve with integrated ventilation, with cylinder connector G 5/8" according to EN 144-2 and 477 PN232	Filling valve with integrated ventilation, with cylinder connector G 5/8" according to EN 144-2 and 477 PN232

Separator system

- Interstage separator after 2nd stage, stainless steel AISI 316.
- Final separator for the removal of oil/water condensate.
- Final safety valve, fitted to separator housing.
- Pressure maintaining/non return valve, fitted to filter bracket.

	Direttiva PED 2014/68/UE - Modulo D PED Directive 2014/68/EU - Module D		
	Conformità al tipo basata sulla garanzia della qualità del processo di produzione Conformity to type based on quality assurance of the production process		
Certificato n. Certificato no. Attrezzatura a pressione Pressure equipment Tipo Fabbricante Manufacturer Sito produttivo Production site Verbale di verifica Evaluation report	714-P-1759 VALVOLA DI SICUREZZA A MOLLA 6-05-015 Aerotecnica Coltri S.p.A. Via dei Colli Storti 177 - 25015 Desenzano del Garda BS P4300439-01-R04	REV. 00 Categoria IV	Numero di pratica Job Number P4300439



Contamination	Maximum content as per DIN EN 12021:2014	Air quality*
H ₂ O	25 mg/m ³	≤ 10 mg/m ³
CO	5 ppm(v)	≤ 4
CO ₂	500 ppm(v)	≤ 500
Oil	0,5 mg/m ³	≤ 0,5 mg/m ³

* Measured at our facility using ASCO HORA 160 ANALYZER.

1 Only with special filter cartridge with HOPCALITE CO CATALYST. and up to a maximum concentration of 25 ppm CO in intake air.

The compressed clean breathing air then contains a maximum of 5 ppm CO.

2 The level of CO₂ in the intake air must not exceed the maximum level of CO₂ as per EN 12021:2014

3 Reported values exceed ISO 8573-1 standards.

Electric starter with battery

Standard equipment on ERGO 280 DY FA



Automatic shutoff with pressure switch

Standard equipment on ERGO 280 DY FA



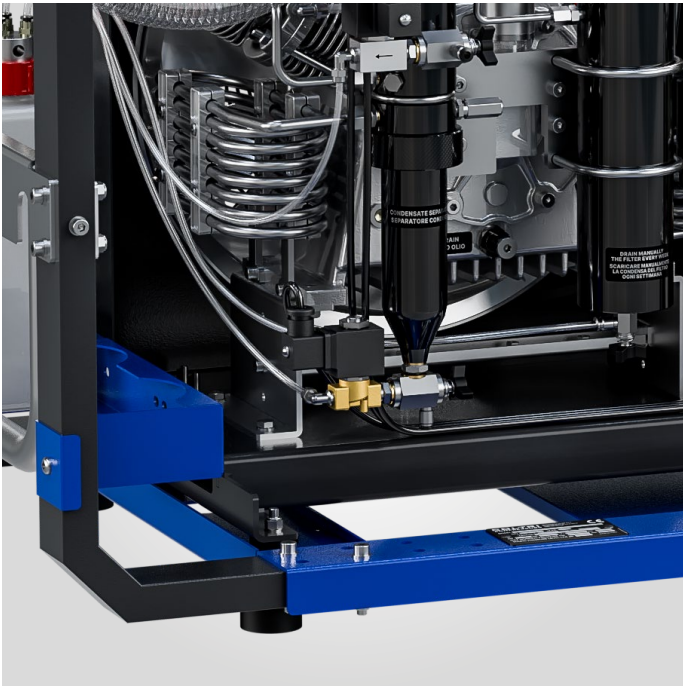
Compressor automatically shuts off when it reaches final pressure.

Composed of:

- 1 x Pressure switch
 - 230 bar - COD. SC000521/232 (Safety valve 250 bar)
 - 300 bar - COD. SC000521/300 (Safety valve 330 bar)

Automatic condensate drain

Standard equipment on ERGO 280 DY FA









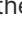


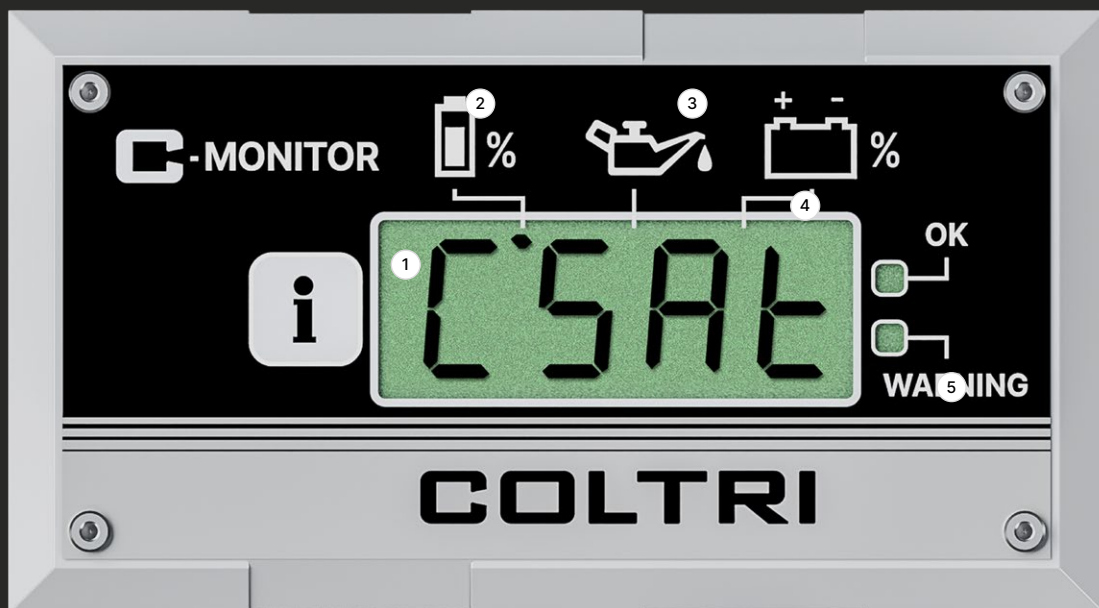
The automatic condensate drain removes water from the intermediate separator and the final separator automatically during operation (every 7 minutes).

Optional

C - Monitor

Final filter monitoring system, oil change and technical interface.

The interface consists of an LCD display, a button  and two indicators (, ). The decimal points next to the digits are indicator lights to indicate alarms or warnings in progress. Each dot is associated with an explanatory icon (, , ). The icon  indicates an alarm condition while the symbol  indicates normal operation. Press the button  to scroll through the different functions of the menu. When pressed, the function is displayed the function and after two 2 seconds the related data.



COD. SC001200

- 1 Display
- 2 Cartridge saturation
- 3 Service indication
- 4 Battery charge level
- 5 Operation indicator

Digital hour meter



COD. 13-04-0210

Filling connections optional

DRV DIN 232 bar
with gauge



COD. DRV232/MANOM

DRV DIN 300 bar
with gauge



COD. DRV300/MANOM

Adapter DIN 232/INT



COD. RE100350

Aerotecnica Coltri S.p.A.

Via dei Colli Storici, 177
25015 Desenzano del Garda
Brescia - Italy

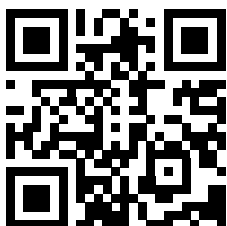
Ph. +39 030 9910301
+39 030 9910297

info@coltri.com

DT-TDS-ERGO-280-DY-23-V2



Visit our
showroom in Virtual Reality



coltri.com



coltri.com/showroom



COLTRI
THE ITALIAN COMPRESSOR